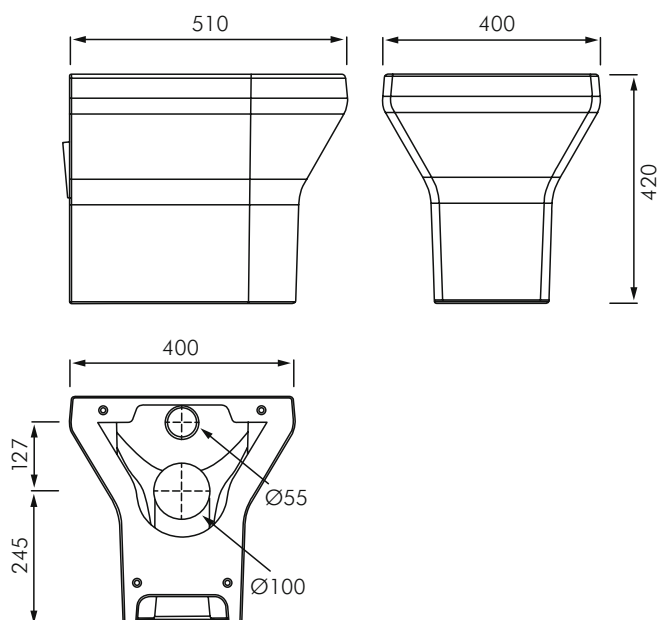


## DV-VR01-071 HIGH SECURITY TOILET

**KWC DVS**



### DESCRIPTION

The KWC DVS DV-VR01-071 is a high security toilet pan specifically manufactured for vandal-resistance and to avoid ligature points wherever possible. Large trap avoids blockages. Warm to touch surface eliminates 'icy shock' and gives the appearance of a domestic toilet.

Suitable for through wall mounting where there is a plumbing duct directly behind the pan allowing secure fixing. Includes 4 only 12mm x 280mm stainless steel threaded rods. Where no duct is available an optional inwall bracket is available. Water efficient 4.5 litre flush possible.

Also available for AS1428 accessible bathroom requirements where the toilet pan is 480mm tall and with the use of an extension box (refer separate DV-VR01-011 tech data sheet).

A high-grade non-porous polyester gel coat surface in all white with moulded grey seat rim comes as standard. The gel coat has been specially formulated to resist chemicals and ultraviolet rays.

Particularly suitable for use in mental healthcare, healthcare, and custodial applications as an alternative to stainless steel fixtures.

### INSTALLATION

- Back to wall, through wall fixed.
- 4.5L flush meeting WELS 4 Star performance requirements.
- P trap only.
- Fixing kit for walls up to 250mm thick included.
- Also available in AS1428 size (see model FR-VR01-011).
- Optional inwall mounting bracket, used where there is no duct directly behind WC (must have access panel above WC for waste/water connection).

### MODEL

**DV-VR01-010** - High security toilet pan with moulded grey seat rim

### OPTION

**DV-VR01-UWB** - Inwall mounting bracket to suit DV-VR01-010 and DV-VR01-011 toilets

