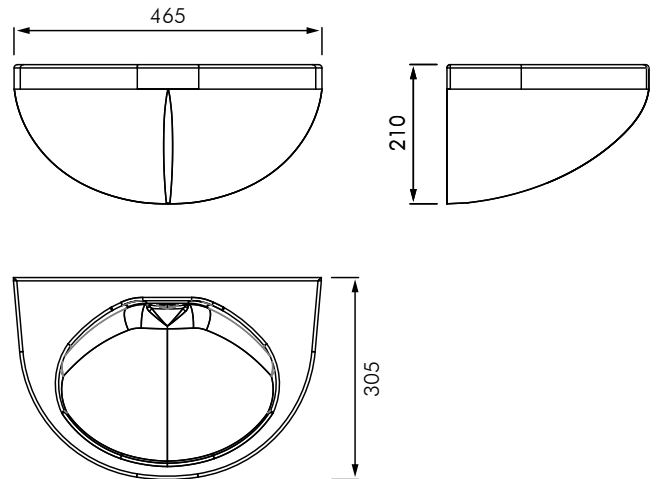


DV-VR01-081 HIGH SECURITY BASIN

KWC DVS



DESCRIPTION

KWC DVS DV-VR01-081 is a high security washbasin designed and tested to be vandal-proof and avoid ligature points wherever possible. A high-grade non-porous polyester gel coat surface in all white comes as standard. The gel coat has been specially formulated to resist chemicals and ultraviolet rays. This model is suited to combine with a MacDonald Security washbasin control set available in electronic or mechanical.

Features include rear concealed waste outlet, domestic aesthetics, moulded impact resistant construction, vandal and ligature resistant.

Ideal for use in applications requiring a high degree of vandalism protection including prisons and mental health facilities, and require a water consumption minimisation.

Refer to separate tap literature for a suitable electronic or mechanical water control option.

Designed for through wall mounting where there is duct space directly behind the basin.

Where no duct exists, the DV-VR01-UBB inwall fixing bracket is available, suitable access panels must be installed above and below the basin to allow access for water/waste connection.

INSTALLATION

- Wall mounted high security basin
- Dimensions 465 x 210 x 305mm
- Substantially reduced ligature risk
- High performance composite material
- Rear concealed waste outlet
- Optional waste grid available

MODELS

DV-VR01-081 - Standard washbasin



Melbourne (Head Office)

MACDONALD INDUSTRIES AUSTRALIA sales@macdonaldindustries.com.au
macdonaldindustries.com.au