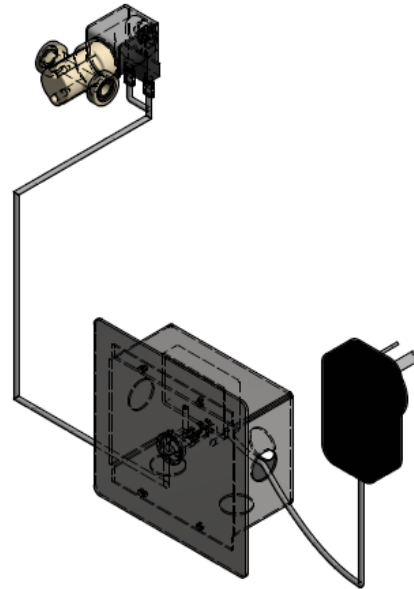


SL-SHx-AUx

MACDONALD SOLO PIEZO SWITCH SHOWER CONTROL



DESCRIPTION

The MacDonal SL-SH-AU is from our SOLO range of piezo activated water controls. The SL-SH-AU is a simple 1 button control designed to activate a low voltage solenoid valve to enable use on shower systems that require limitations on run times ensuring showers self close after use. SL-SH-AU is supplied in a format that suits installation where there is a duct space directly behind the shower controller or in a roof space above the shower. Remote solenoid and power pack installation is possible with optional extension leads. SL-SH is available in packs to suit 1, 2, 3 or 4 showers. See attached information on each pack.

SL-SH-AU is supplied as a standalone product where tempered water is supplied via a quality thermostatic mixing valve or it can be combined with other MacDonal MS security products that offer features such as combination thermostatic or pressure balanced mixers and flow diverters (see separate literature).

The SL-SH-AU-AU controller is mounted behind a 120 x 120 face plate, and supplied with a double gang flush box, 9Vdc power pack and a 1/2" solenoid valve. Leads supplied with each controller require solenoid valve and 3 pin GPO to be within 4m of the piezo switch position. Where multiple showers are to be installed a 4 way power splitter is supplied allowing 1 power pack to distribute power to up to 4 controllers. Longer extension cables may be ordered to suit greater distances from splitter box to controller. Run time and delays before re-use (HOLD times) are adjustable using the 8 way switch within the Solo controller. See Installation Instructions for options.

INSTALLATION

Supplied complete with 1 x 1/2" solenoid valve. Valve should be installed after mixing valve.

Controller supplied with 4m lead to solenoid valve as standard. Optional 1m & 8m extension cables available.

Where multiple shower controllers are to be installed, up to 4 can be powered from only 1 power pack by using the SL-PP-S4 splitter box. This is supplied with 4m extension cables as standard. Optional 8m cables available. See Pages 2 & 3.

5m Power Pack extension lead optional (SL-PP-E5-MF).

MODELS

- SL-SH1-AUB** - Solo single shower controller c/w 4m cables and Brass bodied solenoid
- SL-SH2-AUB** - 2 x Solo shower controllers c/w 4m cables and Brass bodied solenoid
- SL-SH3-AUB** - 3 x Solo shower controllers c/w 4m cables and Brass bodied solenoid
- SL-SH4-AUB** - 4 x Solo shower controllers c/w 4m cables and Brass bodied solenoid
- SL-SH1-AUN** - Solo single shower controller c/w 4m cables and Composite bodied solenoid
- SL-SH2-AUN** - 2 x Solo shower controllers c/w 4m cables and Composite bodied solenoid
- SL-SH3-AUN** - 3 x Solo shower controllers c/w 4m cables and Composite bodied solenoid
- SL-SH4-AUN** - 4 x Solo shower controllers c/w 4m cables and Composite bodied solenoid

OPTIONAL

- SL-PP-E5-MF** - 5m power pack extension cable
- SL-PP-E8** - 8m power extension cable
- SL-CABLE-4/1** - 1m solenoid extension cable
- SL-CABLE-4/8** - 8m solenoid extension cable

SL-SH PACKING LIST

DESCRIPTION	OPTIONS	PRODUCT CODE	SH1	SH2	SH3	SH4
SOLO controller c/w switch plate	supplied	SL-SH-CMAU	1	2	3	4
POWER						
Power Pack 9Vdc Splitter	supplied	SL-PP-SPLITTER-9V	-	1	1	1
Power Pack 9Vdc	supplied	SL-PP9	1	1	1	1
Splitter Box	supplied	SL-PP-S4	-	1	1	1
Power pack 5m extension cable	optional	SL-PP-E5-MF				
4m extension cable - splitter to controller	supplied	SL-PP-E4	1	2	3	4
8m extension cable - splitter to controller	optional	SL-PP-E8				
SOLENOID VALVES						
9V Brass bodied 1/2" Solenoid value (AUB)	supplied		1	2	3	4
or						
9V Composite bodied 1/2" Solenoid value (AUN)	supplied		1	2	3	4
4m extension cable - controller to solenoid	supplied	SL-CABLE-4/4	1	2	3	4
8m extension cable - controller to solenoid	optional	SL-CABLE-4/8				
1m extension cable - controller to solenoid	optional	SL-CABLE-4/1				

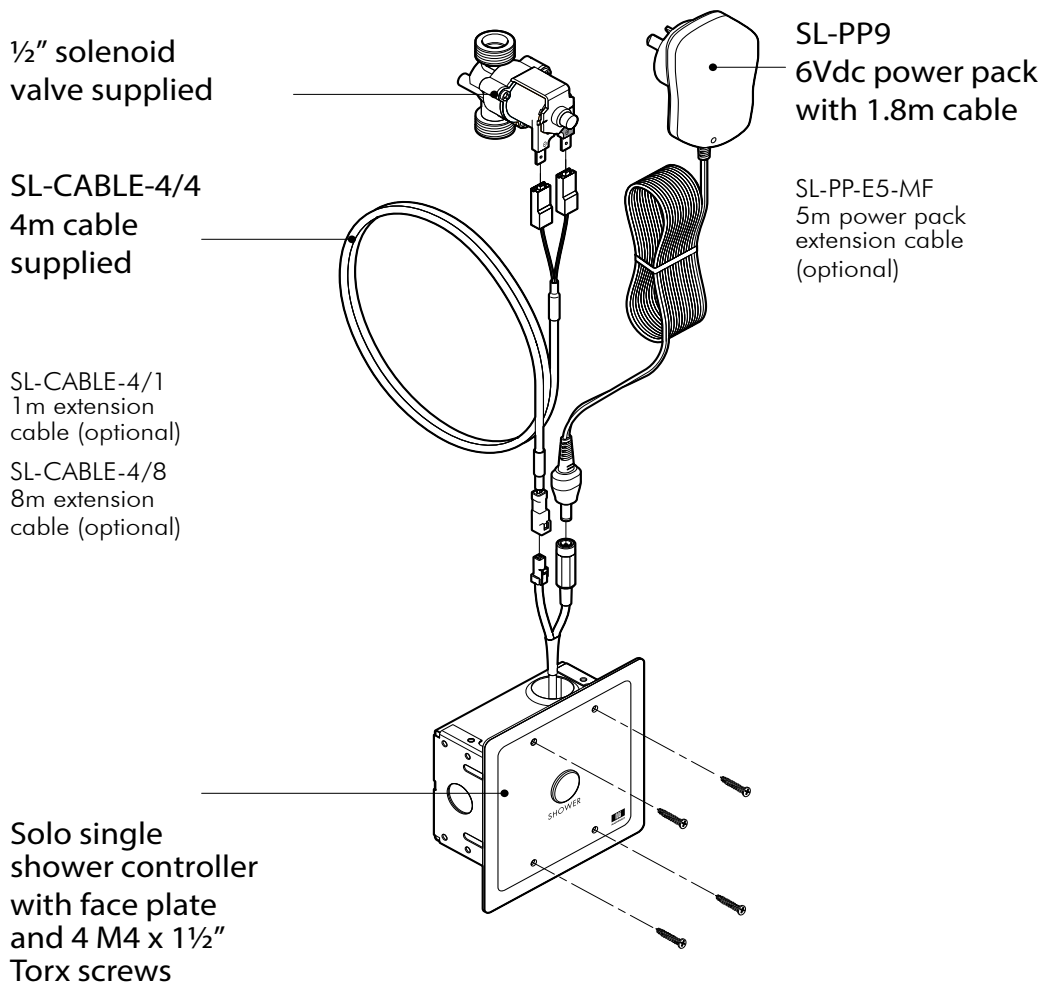
REFER TO PAGE 3 FOR INSTALLATION GUIDE

INSTALLATION GUIDE

SOLO shower controls can be installed as a stand alone product (dia 1, page 2) or with up to 4 shower controllers (dia 2, page 3) being fed

from a common power supply. Cabling to suit each installation should be carefully measured to suit the projects requirements.

dia 1



** Note Drawing is a representation only

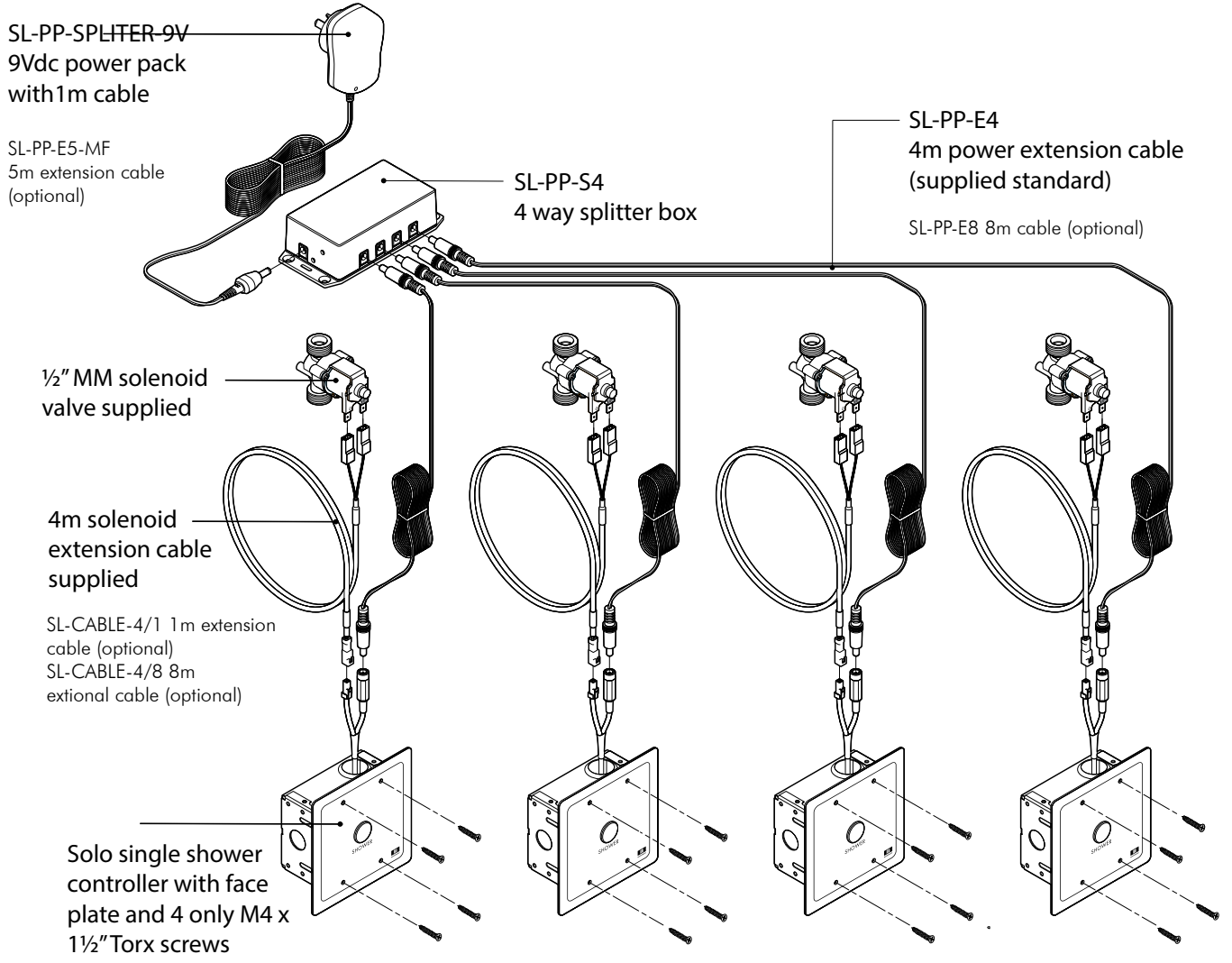


MACDONALD
INDUSTRIES AUSTRALIA

Melbourne (Head Office)

sales@macdonaldindustries.com.au
macdonaldindustries.com.au

dia 2



** Note Drawing is a representation only