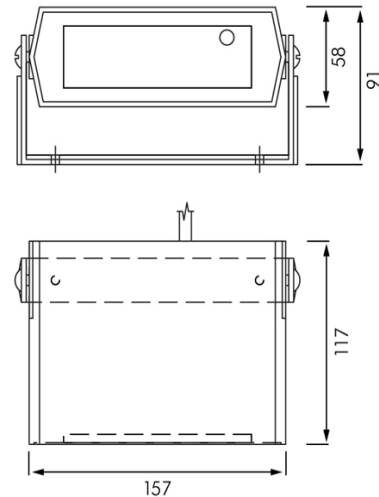
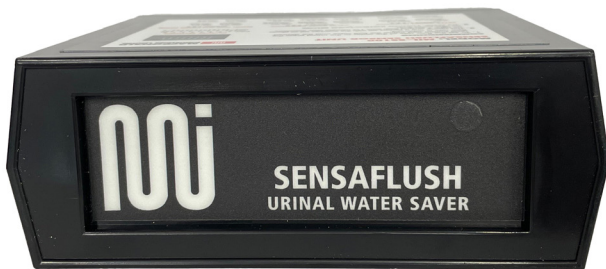


# WGAUS

## WATERGUARD SENSFLUSH

### URINAL SENSOR



#### DESCRIPTION

Using microwave technology (rather than Infra-red) Water Guard SENSFLUSH has the ability to be installed behind a ceiling or wall lining making it an unobtrusive, vandal proof installation.

As Water Guard SENSFLUSH detects the general presence of someone in the toilet area. Often the water use with Water Guard is less than individual sensors or push buttons. Water Guard detects movement of people using the urinals and sets up a sequence of flushing to suit. If no one is within the toilet area no flushing will occur, however after hours flushing is possible if required.

#### OPERATIONS AND APPLICATIONS

Detects presence of user, delays for short period and then flushes. After hours flushing prevents trap dryout. Suitable for installation with and without a cistern tank. Ideal for large slab urinals or multiple bowls.

#### PRODUCT ADVANTAGES

Vandal proof installation. Adjustable cycle times (set by dip switches) allows for high or low use application. After hours flushing ensures waste hygiene. High water saving compared to standard cistern tanks (at least 60%).

#### MODELS

**WGAUS** - Suitable for use with or without a cistern tank – refer to installation instructions for details.



Melbourne (Head Office)

MACDONALD INDUSTRIES AUSTRALIA sales@macdonaldindustries.com.au  
macdonaldindustries.com.au